

# MOVING TECHNOLOGIES



## SPEEDYFIL<sup>®</sup> - SP

SPC COLUMN



OVERHEAD TROLLEY  
MOUNTED SPS



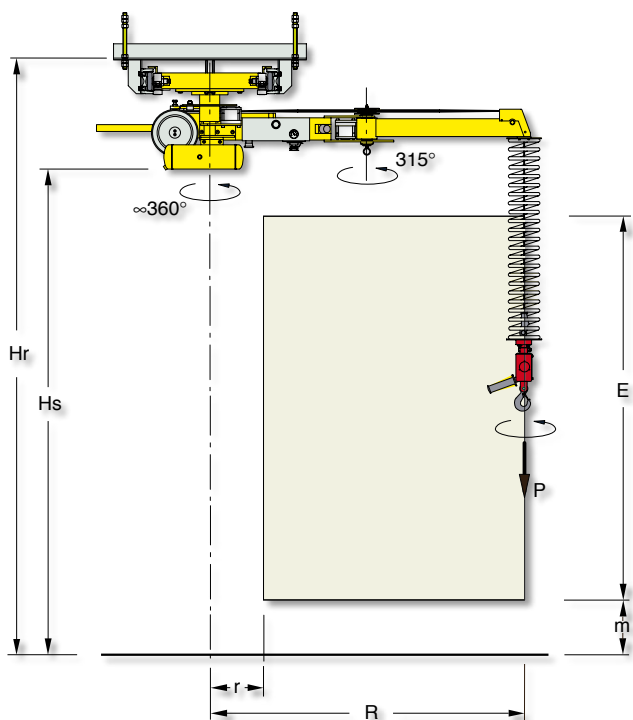
 **dalmec**  
Industrial Manipulators

**Pneumatic Manipulator SPEEDYFIL SP with double cable**  
SPEEDYFIL SP equipped with simple gripping tools, allows the handling of light loads in a weightless condition, throughout the working area. The particular double arm structure with middle joint makes it easy to handle and precise throughout the working area. Generally overhead mounted with double track system, it offers an easy translation in order to cover a long working area.

## Speedyfil overhead trolley mounted - SPS

# SPEEDYFIL® - SP

Copyright © 2007 by Dalmecc S.p.A. The data and dimensions are to be considered approximate and not fixed. Dalmecc declares the right to perform changes without notice.



SPEEDYFIL overhead trolley mounted "SPS" standard				
Max weight capacity	P	50	80	Kg
Track attachment height	Hr	3030	3030	mm
Overall dimensions	Hs	2500	2500	mm
Min radius	r	680	680	mm
Max radius	R	2000	1400	mm
Vertical lift	E	1650	1650	mm
Min height	m	100	100	mm
Air supply	Dry and oil-free compressed air min constant 0.7÷0.8 MPa			

SPEEDYFIL overhead trolley mounted "SPS" increased vertical lift				
Max weight capacity	P	50	80	Kg
Track attachment height	Hr	3580	3580	mm
Overall dimensions	Hs	3050	3050	mm
Min radius	r	680	680	mm
Max radius	R	2000	1400	mm
Vertical lift	E	2150	2150	mm
Min height	m	100	100	mm
Air supply	Dry and oil-free compressed air min constant 0.7÷0.8 MPa			

Configuration and measurements may change upon the Customer's specific requirements

Track dimensions		
S	950	mm
R	2000	mm
T	1000	mm
V	220	mm

